

**Batch Separator  
CSP**

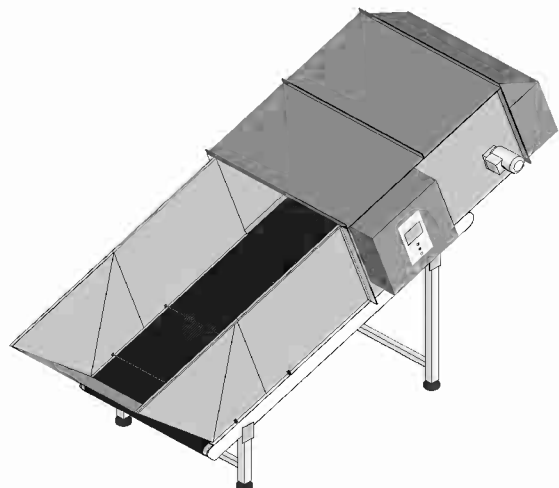
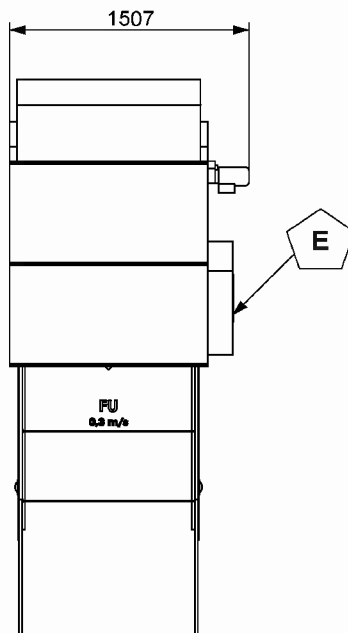
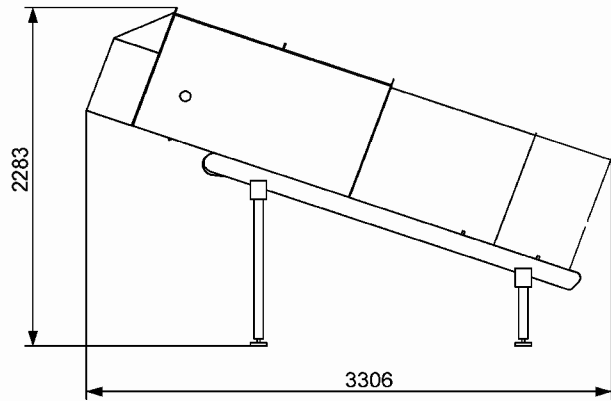
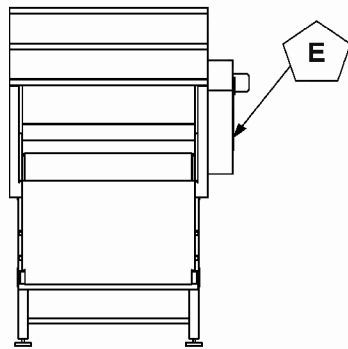
Type	1050	1330	Unit
<b>E Electrical connection</b>			
Connected voltage [U <sub>A</sub> ] <sup>(01)</sup>	400/480	400/480	V
Mains frequency <sup>(01)</sup>	50/60	50/60	Hz
Connection value [S] <sup>(02)</sup>	3	3	kVA
Current consumption [I <sub>A</sub> ]	4,3/4,2	4,3/4,2	A
Leakage current [I <sub>L</sub> ]	50	50	mA
cos φ	1	1	-
Terminal size	0,5 - 6	0,5 - 6	mm <sup>2</sup>
<b>Dimensions</b>			
Machine / transport dimensions (WxHxD) <sup>(03)</sup>	1507x2283x3306	1787x2283x3306	mm
Infeed opening (WxH) <sup>(03)</sup>	1520x2300	1800x2300	mm
<b>Weights</b>			
Operating / transport weight <sup>(03)</sup>	630	710	kg
<b>Foundation loads</b>			
Static point load at the foot <sup>(03)</sup>	0,63	0,71	N/mm <sup>2</sup>
Number of feet	4	4	[pcs.]
Surface of the individual foot	10000	10000	mm <sup>2</sup>
<b>Miscellaneous</b>			
Noise emission	65	65	dB (A)

(01) The machine can either be operated with 400V 50Hz or with 480V 60Hz.

(02) The connection value S in [kVA] is based on the equation:  $S = \sqrt{3} \cdot I_A \cdot U_A$

(03) Applies exclusively to standard belt conveyor GF 1050(1330)x2500 (without customer-specific adaptations)

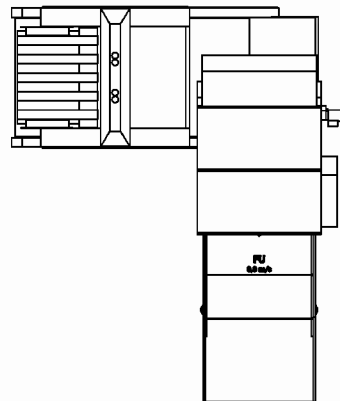
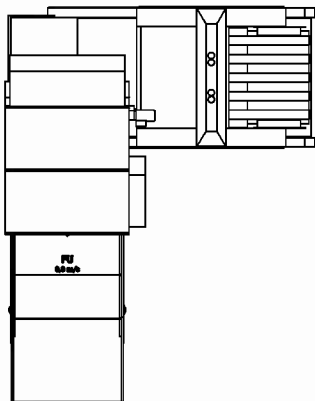
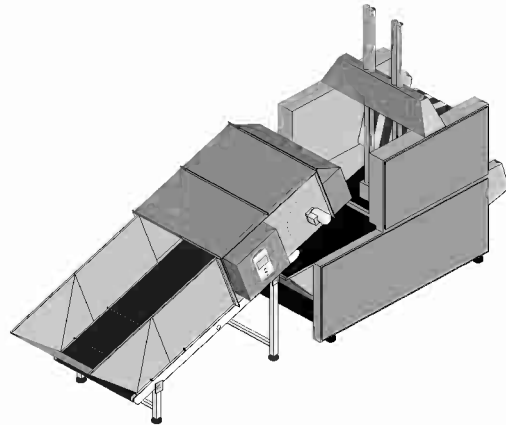
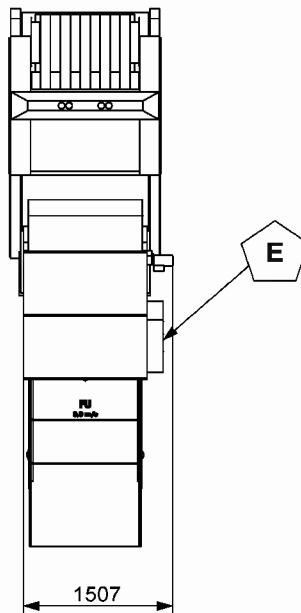
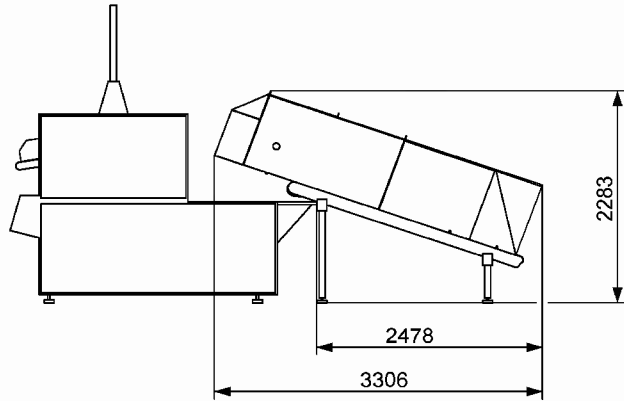
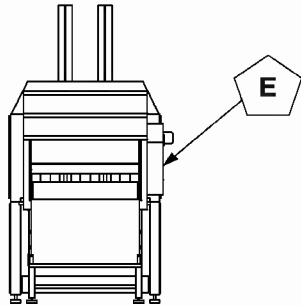
### Batch Separator CSP



<b>E</b>	Electrical connection
----------	-----------------------

Attention! This sketch is not true to scale. Options may be included in this display. All rights for technical changes withheld.

# Batch Separator CSP



**E** Electrical connection

Attention! This sketch is not true to scale. Options may be included in this display. All rights for technical changes withheld.