

**Dryer PowerDry  
DII-60**

Type	DII 60- D-DL	DII 60- D-WU	DII 60- G-WU	Unit
<b>General information</b>				
Max. evaporation capacity <sup>(01)</sup>	2,6	2,6	3,7	l/min
Ø evaporation capacity <sup>(01)</sup>	2,2	2,2	3,1	l/min
<b>E Electrical connection</b>				
Supply voltage [U <sub>A</sub> ]	400 / 480	400 / 480	400 / 480	V
Mains frequency	50 / 60	50 / 60	50 / 60	Hz
Connection value [S] <sup>(02)</sup>	15	15	15	kVA
Current consumption [I <sub>A</sub> ]	22 / 18,5	22 / 18,5	22 / 18,5	A
Additional connection value for PAF I (option) [S]	+2,2	+2,2	+2,2	kVA
Additional current consumption for PAF I (option) [I <sub>A</sub> ]	+3,15	+3,15	+3,15	A
Additional connection value for Eco-2-Power (option) [S]	-	-	+1	kVA
Additional current consumption for Eco-2-Power (option) [I <sub>A</sub> ]	-	-	+2	A
Peak current [I <sub>S</sub> ] <sup>(03)</sup>	60 / 50	60 / 50	60 / 50	A / 15 s
Leakage current [I <sub>L</sub> ] <sup>(04)</sup>	25	25	25	mA
cos φ	~0,9	~0,9	~0,9	-
Terminal size	10 - 70	10 - 70	10 - 70	mm <sup>2</sup>
Power rating, ventilator	7,5	7,5	7,5	kW
<b>CA Compressed air connection</b>				
Connection <sup>(05)</sup>	8	8	8	mm
Operating pressure	6,5	6,5	6,5	bar
Compressed air consumption <sup>(06)</sup>	162	172	172	NI/h
Additional compressed air consumption for tilt unloading (option) <sup>(06)</sup>	+260	+260	+260	NI/h
Additional compressed air consumption for PAF I (option) <sup>(06)</sup>	+281	+281	+281	NI/h
Additional compressed air consumption for Infracouch (option) <sup>(06)</sup>	+420	+420	+420	NI/h
<b>G Gas connection</b>				
Connection <sup>(07)</sup>	—	—	1½"	-
Operating pressure	—	—	0,03 - 0,36	bar
Gas consumption <sup>(08)</sup>	—	—	93	kWh/h
Gas connection value	—	—	260	kW
<b>W Water connection</b>				
Connection <sup>(09)</sup>	25	25	25	mm
Operating pressure	4 - 8	4 - 8	4 - 8	bar
Water consumption	0	0	0	l/h
Max. throughflow <sup>(10)</sup>	110	110	110	l/min
<b>S Steam connection</b>				
Connection <sup>(11)</sup>	DN 40	DN 40	—	-
Operating pressure	< 13	< 13	—	bar
Steam consumption <sup>(08)</sup>	282	153	—	kg/h
Max. throughflow	7,1	4,8	—	kg/min
<b>C Condensation</b>				
Connection <sup>(11)</sup>	DN 25	DN 25	—	-
Max. temperature	160	160	—	°C
Max. back pressure	5	5	—	bar
Max. throughflow	7,1	4,8	—	kg/min
<b>EX Exhaust air</b>				
Connection	Ø 400	Ø 400	Ø 400	mm
Exhaust air volume flow <sup>(12)</sup>	7700	2300 7700	2300 7700	m <sup>3</sup> /h
Max. back pressure	250	250	250	Pa
Max. temperature	120	120	120	°C
Max. temperature for InfraTouch Control / Eco-2-Power (option)	140	140	140	°C
<b>AI Air supply</b>				
Connection <sup>(13)</sup>	—	Ø 400	Ø 400	mm
Suction volume flow <sup>(12)</sup>	—	2300 7700	2300 7700	m <sup>3</sup> /h
Max. vacuum	—	200	200	Pa

**Dryer PowerDry  
DII-60**

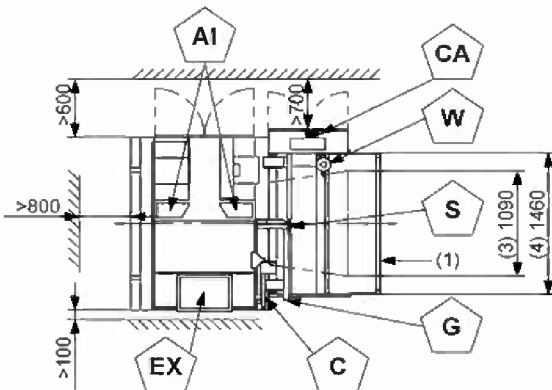
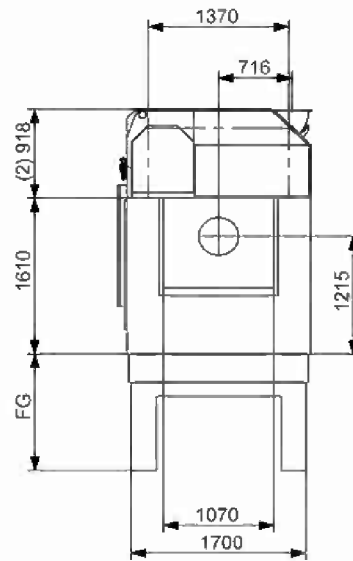
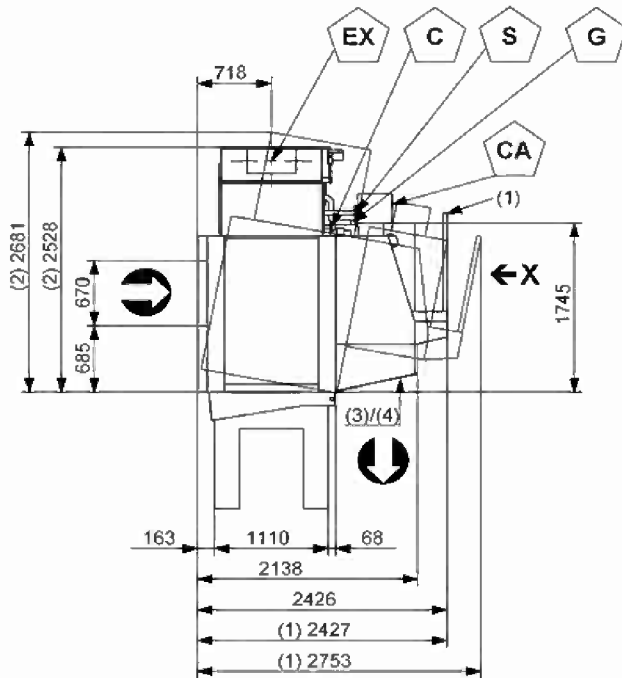
Type	DII 60-D-DL	DII 60-D-WU	DII 60-G-WU	Unit
<b>Dimensions</b>				
Machine dimensions (WxHxD) <sup>(14)</sup>	1871x 2549x 2138	1871x 2528x 2138	1871x 2528x 2138	mm
Transport dimensions (WxHxD) <sup>(14)</sup>	1871x 2549x 2138	1871x 2528x 2138	1871x 2528x 2138	mm
Transport opening (WxH)	2050x 2750	2050x 2750	2050x 2750	mm
<b>Drum</b>				
Diameter	1270	1270	1270	mm
Depth	1215	1215	1215	mm
Volume	1556	1556	1556	l
Rated filling quantity (at 1:25 kg/l) <sup>(15)</sup>	60	60	60	kg
<b>Weights</b>				
Transport weight <sup>(16)</sup>	1750	1775	1700	kg
Operating weight <sup>(17)</sup>	2255	2280	2205	kg
<b>Foundation loads</b>				
Static point load at the foot <sup>(17)</sup>	0,23	0,23	0,23	N/mm <sup>2</sup>
Loading (dynamic load) <sup>(18)</sup>	135	135	135	kg
Impact during loading <sup>(18)</sup>	1000	1000	1000	kg
Excitation frequency of the dyn. point load	0,3 - 0,7	0,3 - 0,7	0,3 - 0,7	Hz
Number of feet	4	4	4	[pcs.]
Surface of the individual foot	25320	25320	25320	mm <sup>2</sup>
<b>Miscellaneous</b>				
Heat emission	7,8	7,8	7,8	kW
Heat emission with sound and heat insulation	6,7	6,7	6,7	kW
Noise emission - Workplace-specific emission value <sup>(19)</sup>	79,4	79,4	79,4	dB (A)
Noise emission with SWI - Workplace-specific emission value <sup>(19)(20)</sup>	77,2	77,2	77,2	dB (A)

All specified consumption values are average values under standard conditions. The effective capacity depends on the conditions at the operating site and the type of laundry items. Depending on the processing method, significant fluctuations in these values are possible.

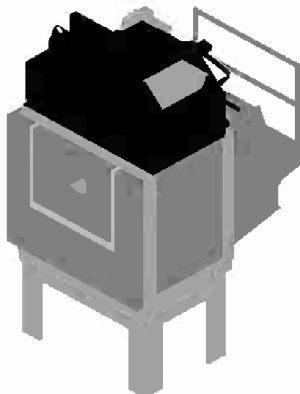
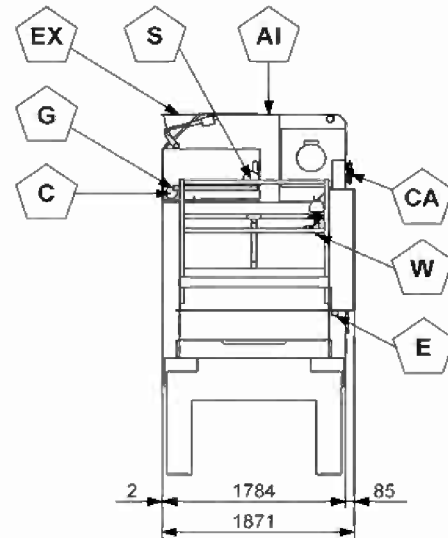
- (01) Evaporation capacity in the main drying phase with the nominal filling quantity: 60 kg, filling ratio 1:25 kg/l, terry cloth material up to 365 g/m<sup>3</sup>
- (02) The connection value S in [kVA] is based on the equation:  $S = \sqrt{3} \cdot I_A \cdot U_A$
- (03) I (S) Peak current at start-up (1x per batch)
- (04) I (L) Leakage current; is diverted to PE. The protective earth conductor must have a minimum cross section of 10 mm<sup>2</sup> CU.
- (05) Plug-in connection for pneumatic hose, external diameter according to specification
- (06) The compressed air consumption data is based on 20 °C and an ambient pressure of (1000 hPa)
- (07) Dryer gas connection with bevelled pipe outer thread (DIN 2999-R)
- (08) The values refer to an average value of approx. 3 batches/h with nominal load, towels 365 g/m<sup>2</sup>, residual moisture of 40%, ECO-2-POWER (except D-DL)
- (09) Optional water connection (soft water is not necessary) for extinguishing device. Attention! Ensure that water at the appropriate pressure is always available at this connection. Hose nozzle for fabric hose, internal diameter according to specification.
- (10) Calculated according to the flow rate of the extinguishing nozzle
- (11) Flange according to DIN 2635, PN 40. With connection set 1: Condensate connection DN 40.
- (12) Small value: Exhaust air quantity during the drying phase. Large value: Exhaust air quantity during the cool-down phase.
- (13) Supply air connection, option
- (14) Depth without service platform. With service platform + 289 mm.
- (15) The optimum filling quantity depends on the volume of the items to be treated and the type of laundry items.
- (16) Weight without foot stand and load
- (17) Including foot stand, 1200 high + maximum load and residual moisture
- (18) Load per dryer at maximum load including residual humidity
- (19) The following specifications are based on DIN EN ISO 11203 and DIN EN ISO 3744.
- (20) SWI - sound and heat insulation

**All rights for technical modifications withheld**

**Dryer PowerDry  
DII-60-\_-WU-L**



**View X**



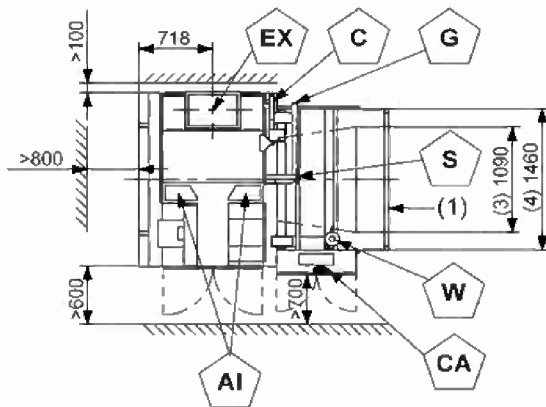
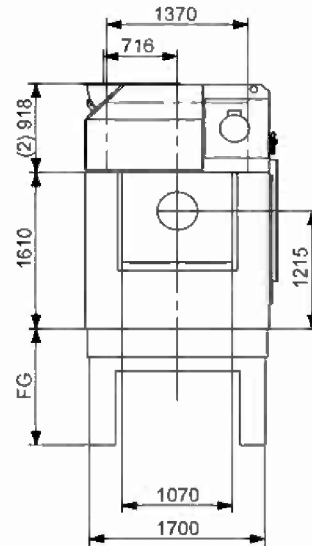
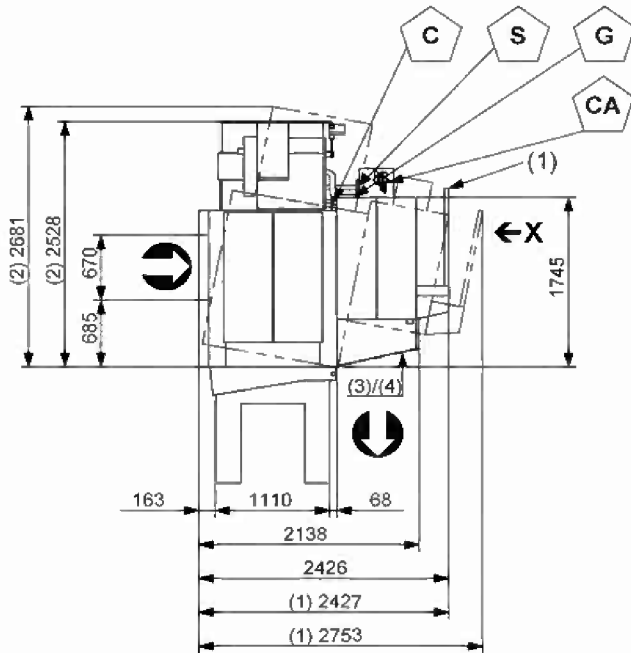
(1)	Service platform, optional
(2)	Sound and heat insulation, opt.; + 32 mm
(3)/(4)	Discharge chute with funnel plates "small"/"wide"
FG	Height of foot stand

<b>E</b>	Electrical connection
<b>CA</b>	Compressed air connection
(opt.) <b>G</b>	Gas connection
(opt.) <b>W</b>	Water connection
(opt.) <b>S</b>	Steam connection
(opt.) <b>C</b>	Condensation
<b>EX</b>	Exhaust air
(opt.) <b>AI</b>	Air supply

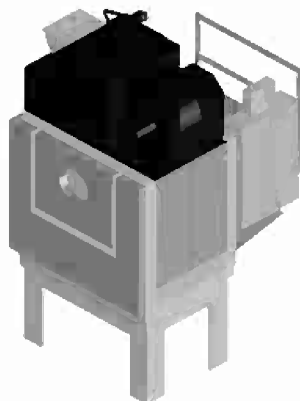
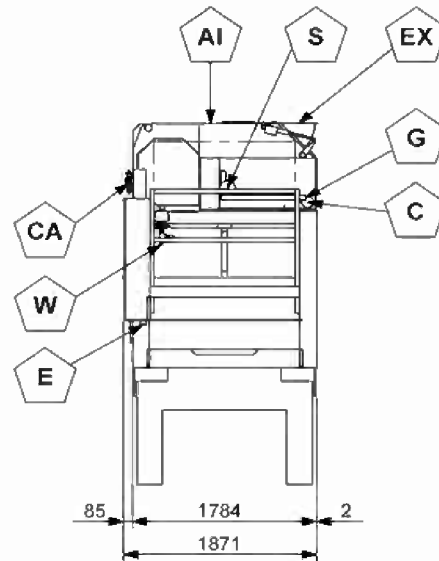
(opt.) This is an optional connection not included in the standard version.

**Attention! This sketch is not true to scale. Options may be included in this illustration. All rights for technical changes withheld.**

**Dryer PowerDry  
DII-60-\_-WU-R**



**View X**



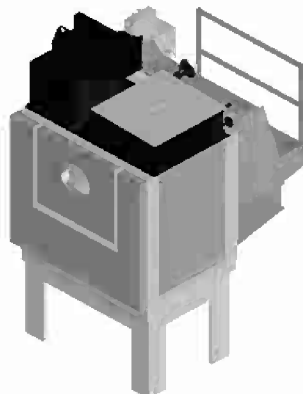
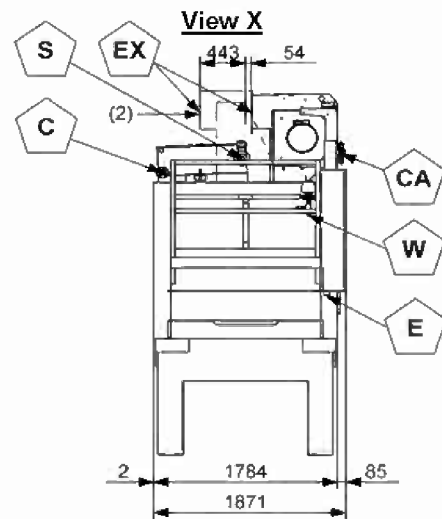
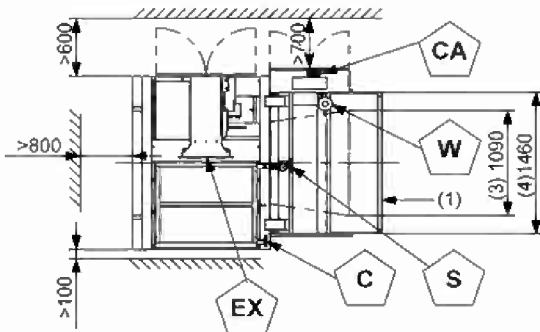
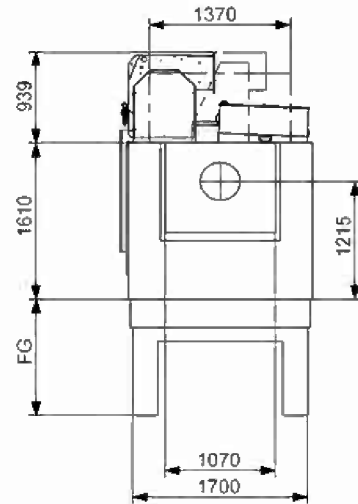
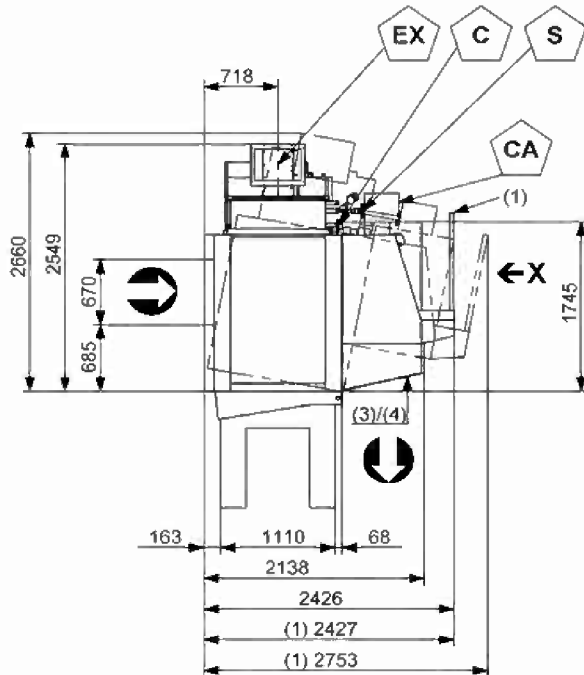
(1)	Service platform, optional
(2)	Sound and heat insulation, opt.; + 32 mm
(3)/(4)	Discharge chute with funnel plates "small"/"wide"
FG	Height of foot stand

<b>E</b>	Electrical connection
<b>CA</b>	Compressed air connection
(opt.) <b>G</b>	Gas connection
(opt.) <b>W</b>	Water connection
(opt.) <b>S</b>	Steam connection
(opt.) <b>C</b>	Condensation
<b>EX</b>	Exhaust air
(opt.) <b>AI</b>	Air supply

(opt.) This is an optional connection not included in the standard version.

Attention! This sketch is not true to scale. Options may be included in this illustration. All rights for technical changes withheld.

**Dryer PowerDry  
DII-60-D-DL-L**



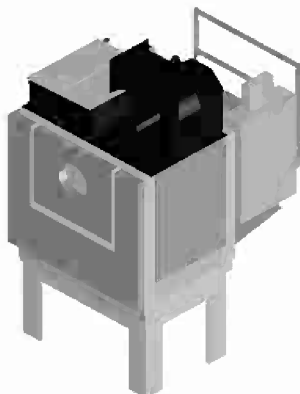
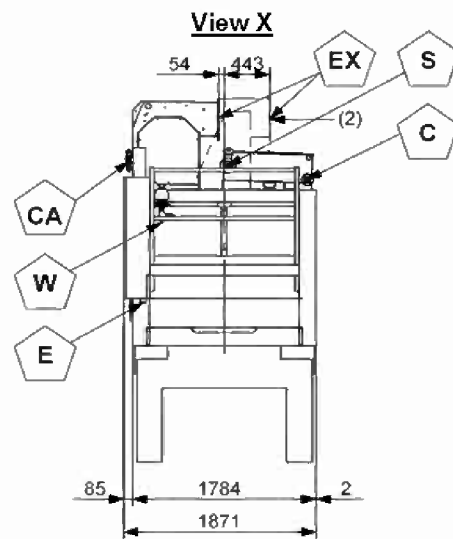
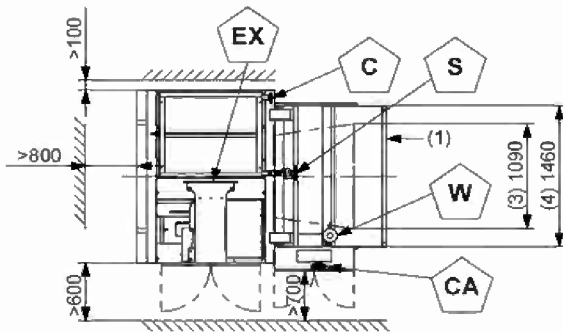
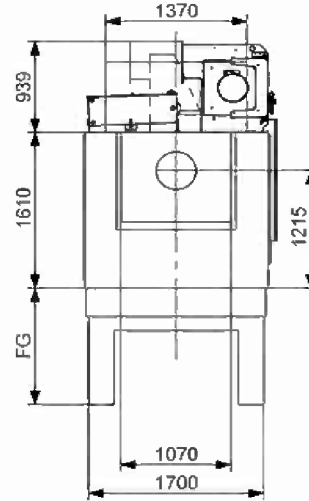
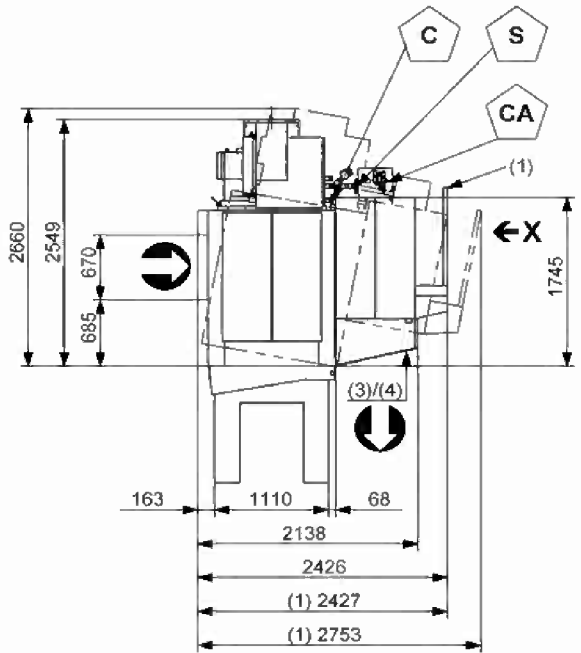
(1)	Service platform, optional
(2)	Unloading by air flow
(3)/(4)	Discharge chute with funnel plates "small"/"wide"
FG	Height of foot stand

E	Electrical connection
CA	Compressed air connection
(opt.) W	Water connection
S	Steam connection
C	Condensation
EX	Exhaust air

(opt.) This is an optional connection not included in the standard version.

Attention! This sketch is not true to scale. Options may be included in this illustration. All rights for technical changes withheld.

**Dryer PowerDry  
DII-60-D-DL-R**



<b>(1)</b>	Service platform, optional
<b>(2)</b>	Unloading by air flow
<b>(3)/(4)</b>	Discharge chute with funnel plates "small"/"wide"
<b>FG</b>	Height of foot stand

<b>E</b>	Electrical connection
<b>CA</b>	Compressed air connection
(opt.) <b>W</b>	Water connection
<b>S</b>	Steam connection
<b>C</b>	Condensation
<b>EX</b>	Exhaust air

(opt.) This is an optional connection not included in the standard version.

Attention! This sketch is not true to scale. Options may be included in this illustration. All rights for technical changes withheld.